

# CVG series



## BB-ISS Type/BB-OS & Y Type 10K SS Cast Steel Valve



### Specification

Model	Connection size	Orifice (mm)	Flow rate coefficient (Cv value)	Operating temperature (°C)	Operating pressure kgf/cm <sup>2</sup> (MPa)	Approximate weight (kg)
CVG-B	15 A	15	4.6	-10 to 100	VAC to 10 (1) <sup>1)</sup>	2.9
	20 A	20	8.6			3.8
	25 A	25	11.4			5.5
	32 A	32	26			9.5
	40 A	40	29			9.8
	50 A	50	43			16
	65 A	65	71			22
	80 A	80	134			27
CVG-H	100 A	100	201	-10 to 100	VAC to 10 (1) <sup>1)</sup>	34
	50 A	50	43			20
	65 A	65	71			25.6
	80 A	80	134			33
	100 A	100	201			41
	125 A	125	310			55
	150 A	150	437			87
	200 A	200	770			138

### Standard material

Part name	Material		
Body	304 SS	316 SS	316L SS
Bellows	316L SS		
Disk	PTFE		
Disk holder	304 SS	316 SS	316L SS
Bellows flange	304 SS	316 SS	316L SS
Stem	304 SS		
Bonnet	304 SS		
Bonnet gasket	PTFE or PCTFE		

When ordering or inquiring about a product, add the body material code to the end of the model name.

Example: CVG-B-50FJ-316L SS

Internal surface can be processed as BA finishing or EP finishing.

### Test inspection

#### Pressure proof test

1.5 MPa

#### Sealing and valve seat leak test

1.1 MPa

#### He leak test (vacuum method)

External:  $1 \times 10^{-5}$  Acc/sec or less

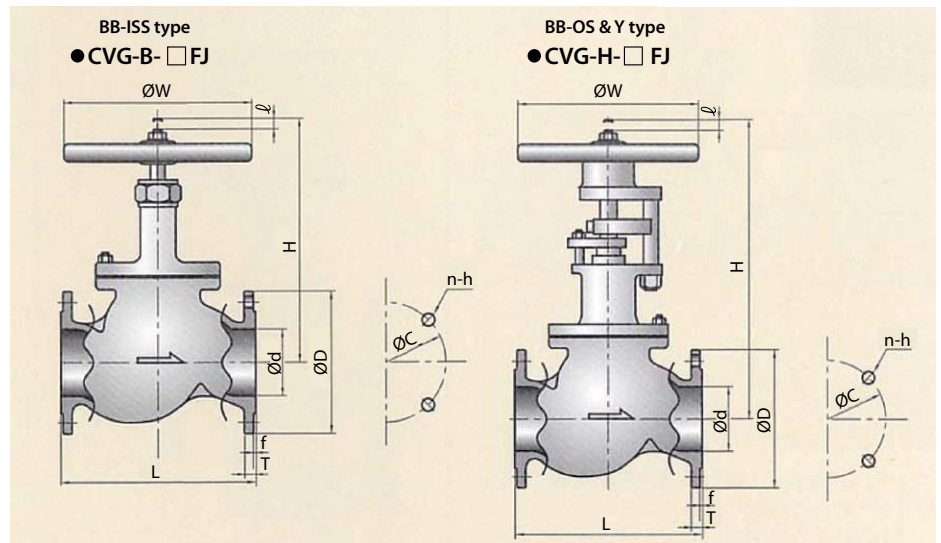
Valve seat:  $1 \times 10^{-5}$  Acc/sec or less<sup>2)</sup>

1) The working pressure 10 kgf/cm<sup>2</sup> indicates the standard specification pressure of the bellows.

Up to 19.3 kgf/cm<sup>2</sup> can be used by using dual bellows.

2)  $5 \times 10^{-9}$  Acc/sec or less when using the PCTFE gasket.

### Dimensions



#### Flange connection (BB-ISS)

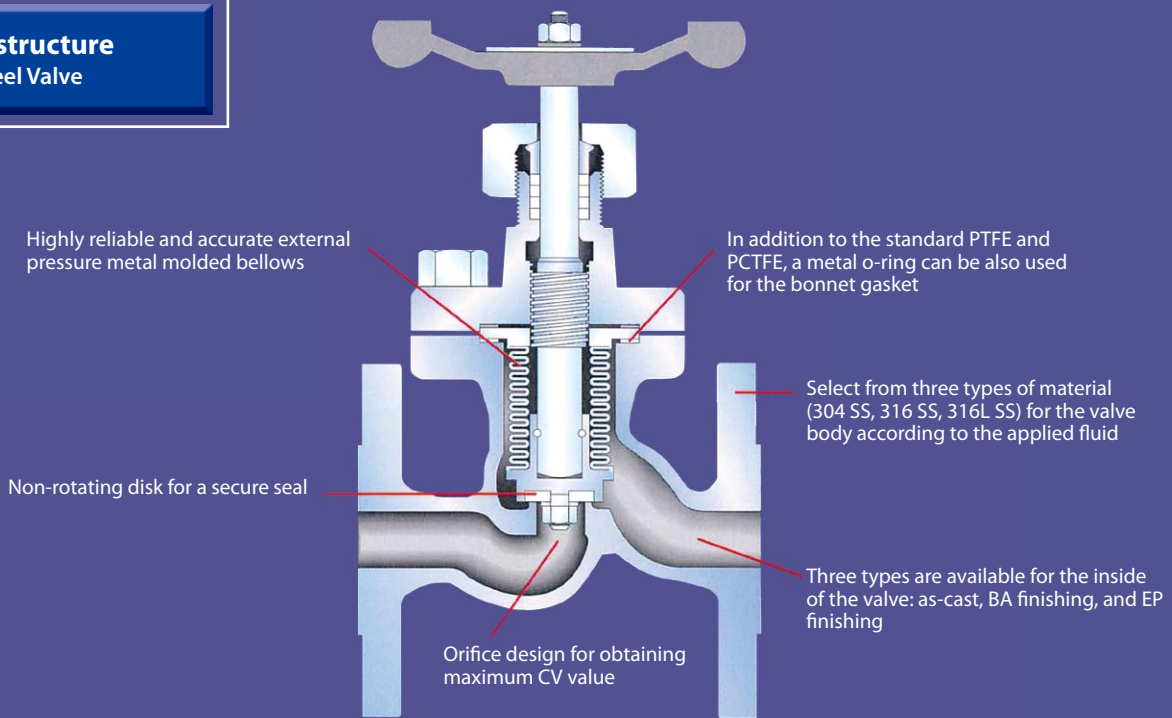
Model	Size	d	L	D	C	g	n-h	T	f	H	I	W
CVG-B-15FJ	15 A	15	108	95	70	51	4-15	12	1	158	5	90
CVG-B-20FJ	20 A	20	117	100	75	56	4-15	14	1	158	6.5	90
CVG-B-25FJ	25 A	25	127	125	90	67	4-19	14	1	186	7.5	100
CVG-B-40FJ	40 A	40	165	140	105	81	4-19	16	2	222	13	125
CVG-B-50FJ	50 A	50	203	155	120	96	4-19	16	2	256	16	160
CVG-B-65FJ	65 A	65	216	175	140	116	4-19	18	2	330	20	200
CVG-B-80FJ	80 A	80	241	185	150	126	8-19	18	2	360	23	250
CVG-B-100FJ	100 A	100	292	210	175	151	8-19	18	2	420	29	280

#### Flange connection (BB-OS & Y)

Model	Size	d	L	D	C	g	n-h	T	f	H	I	W
CVG-H50FJ	50 A	50	203	155	120	96	4-19	16	2	350	16	200
CVG-H65FJ	65 A	65	216	175	140	116	4-19	18	2	360	20	224
CVG-H80FJ	80 A	80	241	185	150	126	8-19	18	2	403	23	250
CVG-H100FJ	100 A	100	292	210	175	151	8-19	18	2	466	29	280
CVG-H125FJ	125 A	125	356	250	210	182	8-23	20	2	508	34	300
CVG-H150FJ	150 A	150	406	280	240	212	8-23	22	2	555	40.5	355
CVG-H200FJ	200 A	200	495	330	290	262	12-23	22	2	658	53	400

# Bellows Valve CVG Series

## Basic structure Cast Steel Valve

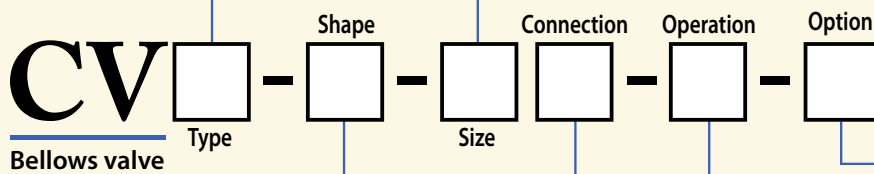


## Product abbreviations

Details	Abbreviation
Small manual valve	GCV
Small pneumatic valve	GCV
Miniature valve (Metal sheet)	S
Rough needle valve	N
165K high pressure valve	K
SB-ISS type 10K SS cast steel valve	B
BB-ISS/OS & Y type 10K SS cast steel valve	G
BB-OS & Y type 40K (600 Lb) cast steel valve	D

Tube size			
Inch	Abbreviation	Millimeter	Abbreviation
1/8	2	6	6 (M)
1/4	4	8	8 (M)
3/8	6	10	10 (M)
1/2	8	12	12 (M)
3/4	12	16	16 (M)

Valve size		
Nominal size A	Nominal size B	Abbreviation
10	3/8	10
15	1/2	15
20	3/4	20
25	1	25
32	1 - 1/4	32
40	1 - 1/2	40
50	2	50
65	2 - 1/2	65
80	3	80
100	4	100
125	5	125
150	6	150
200	8	200



Used to specify the material and the internal surface roughness.

Details		Abbreviation
Angle valve		A
CVG series	BB-ISS type	B
	BB-OS & Y type	H
Other than those above		Blank

Details	Abbreviation
Bi-LoK (inch.)	D
Bi-LoK (mm)	M
VTF (male)	VM
VTF (female)	VF
JIS (RF) flange	FJ
Pipe end	PW
Socketed weld	SW

Details		Abbreviation
Manual valve		Blank
Pneumatic valve	Normal closed	NC
	Normal opened	NO



• East Japan Sales Office / 11-3 Takanawa 3-chome Minato-ku, Tokyo 108-0074 Japan  
 Phone: 03-6721-6981 Fax: 03-6721-6991 ■ URL: <http://www.ihara-sc.co.jp>

• Nagoya Office: Phone: 052-323-2627  
 • Hiroshima Office: Phone: 082-223-4521

• Osaka Office: Phone: 06-6581-0881

• Kyushu Office: Phone: 096-386-5353

• Yamagata Office: Phone: 0237-43-7802